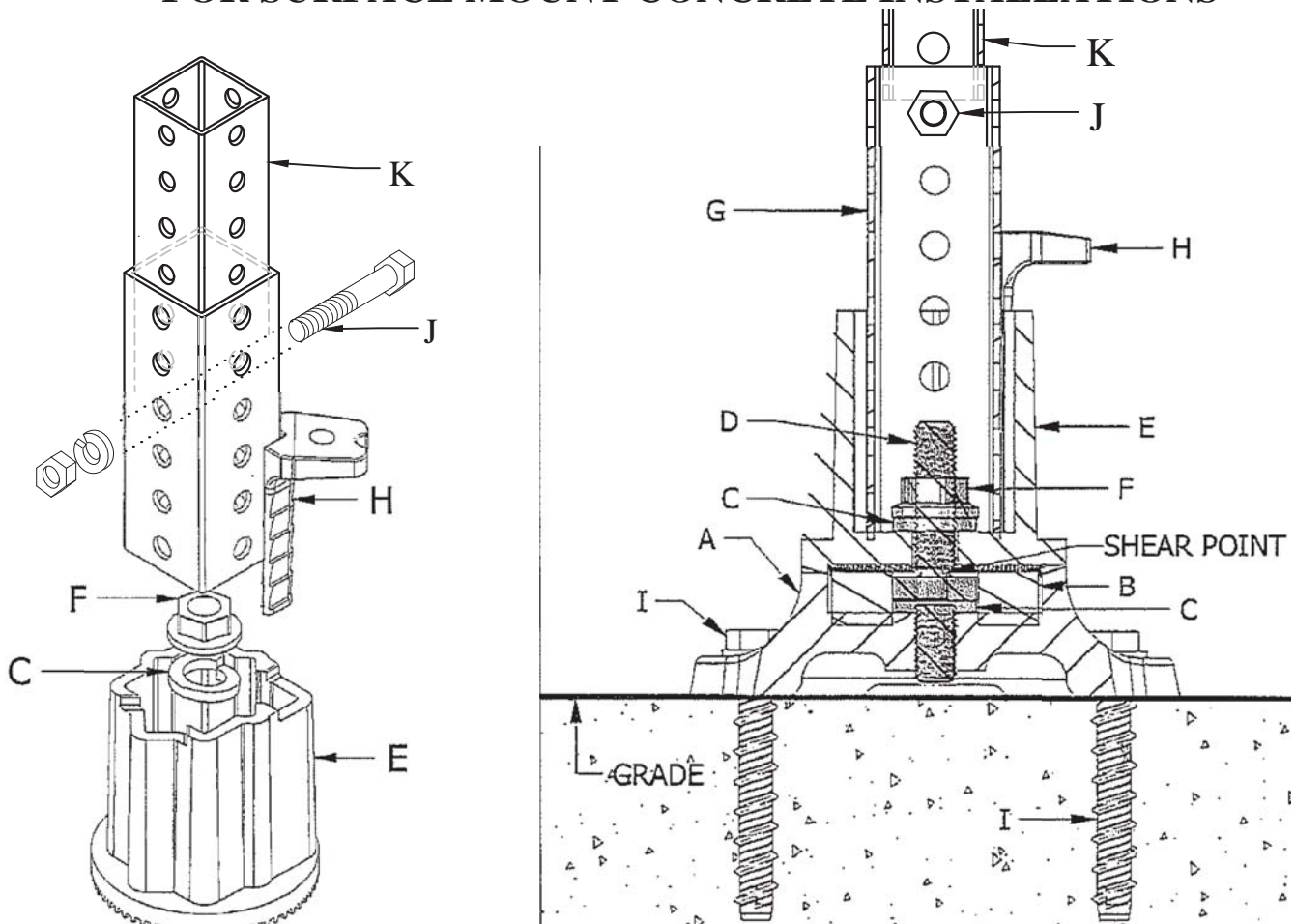


# KLEEN BREAK MODEL 425 FOR SURFACE MOUNT CONCRETE INSTALLATIONS



## INSET A

### PARTS LIST

- |  |   |
|--|---|
| <p>A. SURFACE MOUNT ANCHOR BASE<br/>         B. RUBBER BUSHING<br/>         C. LOCK WASHERS<br/>         D. 5/8"-11 x 4" SHEAR BOLT<br/>         D-1 SHOULDER<br/>         E. TOP HALF COUPLER<br/>         F. 5/8"-11 SERRATED FLANGE NUT<br/>         G. SIGN SUPPORT (12 GAUGE SQUARE POST 2" X 2")<br/>         H. SIGN SUPPORT LOCKING WEDGE<br/>         I. CONCRETE MOUNTING FASTENER (NOT INCLUDED)<br/>         J. 1/4" X 2-1/2" GALVANIZED BOLT, LOCK WASHER &amp; NUT.<br/>         (LOCATED TWO BOLT HOLES ABOVE TOP OF LOCKING WEDGE)<br/>         k 3' PIECE OF 1-3/4" X 1-3/4" SQUARE SIGN SUPPORT INSIDE 2" SUPPORT.</p> | <p><b>PART NUMBERS</b><br/>         A. SMK83-G<br/>         B. RB30-EPDM<br/>         C. SBH5848-Z<br/>         D. SBH5848-Z<br/>         D-1 SBH5848-Z<br/>         E. TX175-200-G<br/>         H. LWX35-G</p> |
|--|---|

### NOTES

1. BREAKAWAY ANCHORS WILL BE INSTALLED ON ALL SIGNS THAT ARE PLACED IN CONCRETE.
2. PROVIDE EXTRA SHEAR BOLT & LOCK WASHERS TO CITY.
3. REFER TO SIGN PLAN SHEETS FOR SIGN SIZE AND INSTALLATION LOCATIONS.
4. SEE DETAIL STR-22 FOR SIGN SETBACK REQUIREMENTS.
5. SEE DIVISION 2, PART A & MnDOT 2564 FOR FURTHER INFORMATION.
6. DETAILS FOR SPECIFICATION

[http://www.x-sqrd.com/PROD-INFO/KLEEN\\_BREAK\\_CI.pdf](http://www.x-sqrd.com/PROD-INFO/KLEEN_BREAK_CI.pdf)



CITY OF BURNSVILLE - ENGINEERING DEPT.  
**SQUARE TUBULAR SIGN  
 POST BREAKAWAY**

Plate No. **STR-26**

Revision Date **1/2018**

File Location:

S:\Details\english\Street\STR26-square post breakaway.dwg